

IN-QUEUE MERCHANDISING

Enhancing the Front End with In-Queue Merchandising...

A front end queue is a unique environment within a retail store. The Single Line Queue is an effective way to improve customer management and guidance through the transitional environment of the front end space where shoppers engage in the broader shopping experience and must pass through in order to check out.

No other location in the store provides such a high concentration of customers and impact on overall customer satisfaction.

Different customers may shop different aisles and checkout at different cashiers, however, they all share the same queue experience. The waiting customer is a captive audience, receptive to well-placed impulse purchases and advertising messages.

Benefits:

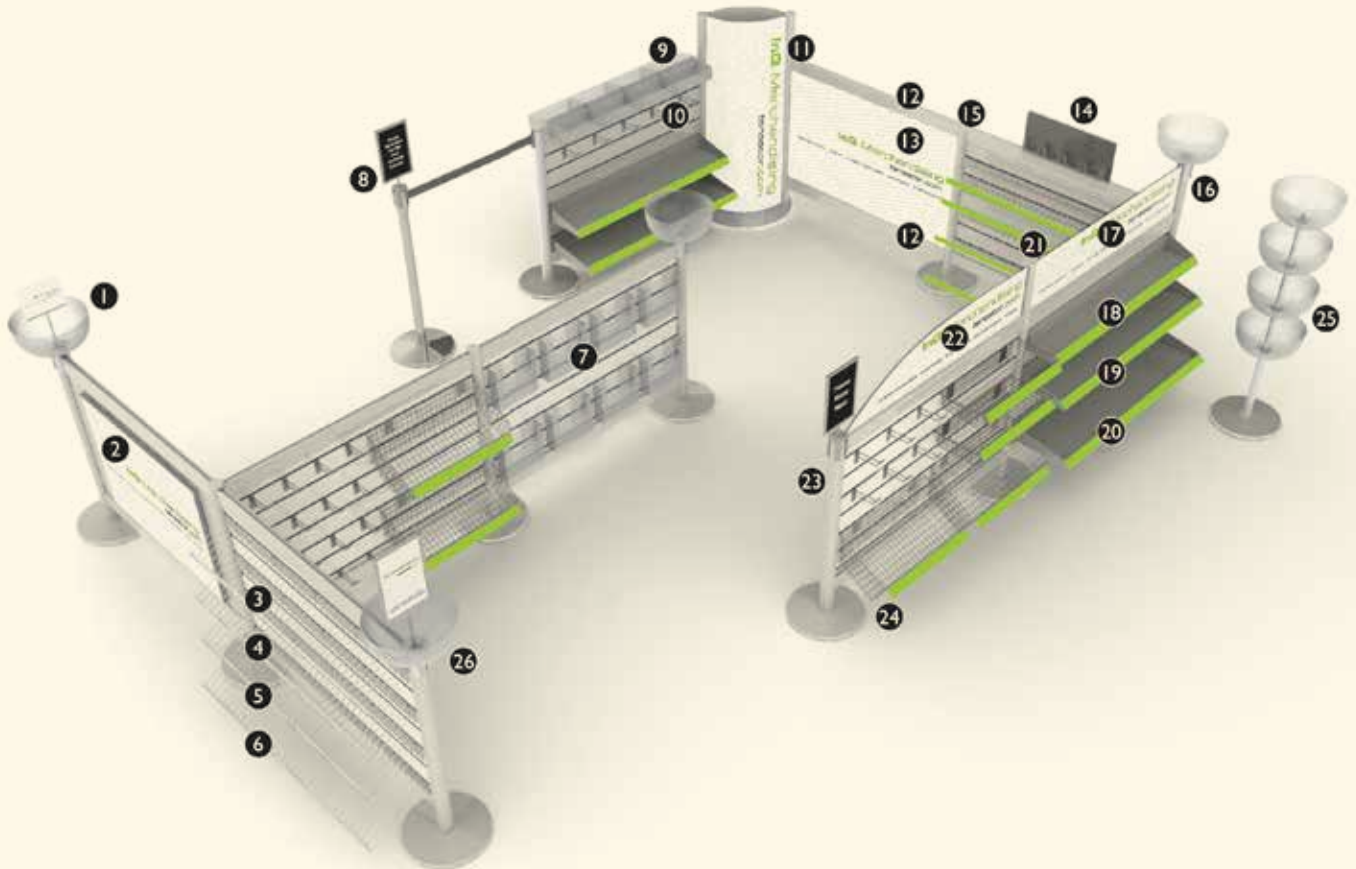
- Speeding customer throughput and increase sales and profitability
- Improving productivity and operational efficiencies
- Minimizing customer waiting times and reduce frustrations
- Increasing satisfaction levels and improve customer retention rates
- Making waiting time informative and entertaining
- Influencing customer behavior
- Converting waiting time into extended shopping time
- Transforming 'dead' queuing space into valuable additional retail space
- Promoting brands, increase signage and advertising



Duane Reade, 40 Wall St., New York, NY

Call now for pricing and availability!
813.962.8890





PRODUCT

ORDER CODE:

- 1. Merchandising BowlTENSABOWL 7x5
- 2. Snap Frame.....IQSA-SNAP
- 3. 7" Deep Wire Shelf06847
- 4. 8" Deep Wire Shelf06848
- 5. 9" Deep Wire Shelf06849
- 6. 11" Deep Wire Shelf06852
- 7. PETG Magazine Holder07281-000
- 8. 7"x11" Light Duty Sign FrameLIGHTDUTYSIGNFRAME 711
- 9. Impulse Tray Clear Acrylic.....LMMA42
- 10. 4" Scan Hook - Polished Chrome.....06856
- 11. Extra Height TotemD-B-EXT-TOTEM
- 12. Tensabeam - Top & Bottom.....BEAMSET
- 13. Standard Height Acrylic Panell.....QSA-48-FH-CLEAR
- 14. Gift Card Holder.....GIFTCARD HOLDER
- 15. Standard Height Post Center.....IQMS-C-91

PRODUCT

ORDER CODE:

- 16. Extra Height Corner Postl.....QMS-EXT-CN-91
- 17. Clear Rectangular Acrylic Header.....IQM-STD-HEADER
- 18. 8" Shelf.....LMMA18-91
- 19. 11" Shelf.....LMMA17-91
- 20. 13.5" Shelf.....LMMA16-91
- 21. Extra Height Center Post.....IQMS-EXT-C-91
- 22. Clear Curved Acrylic HeaderIQM-CURVED-HEADER
- 23. Standard Height Post EndIQMS-E-91
- 24. Angled Basket Silver.....LMMA46-91
- 25. 4 Bowl Impulse TowerIMPULSE TOWER
- 26. Merchandising Bowl w/ 7"x11" FrameTENSABOWL 7x11

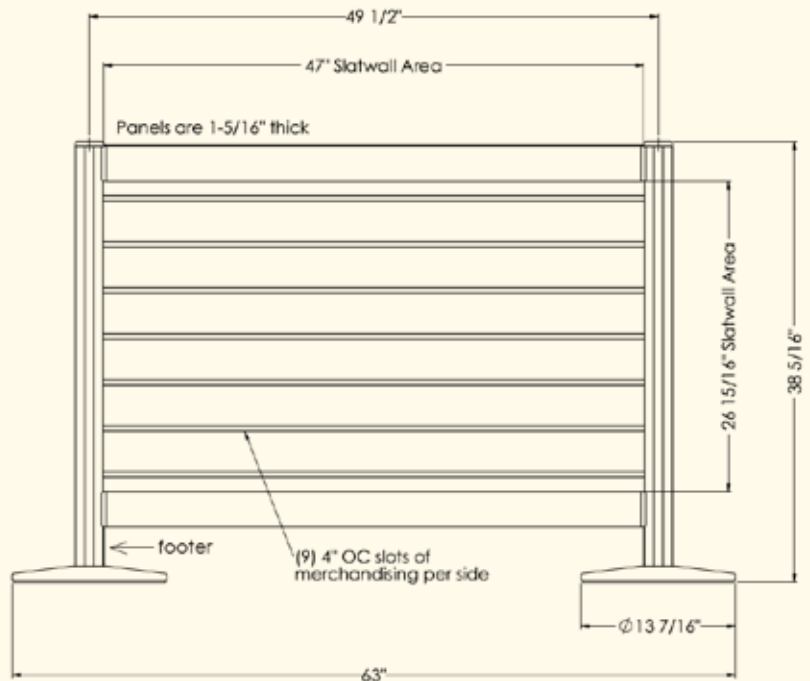


IN-QUEUE MERCHANDISING - Wood Panels

Wood Panels (full height)

Features

- Standard height panel is 4 ft wide and 38" tall.
- Full height post is 38"
- Merchandisable space is 33" including the top & bottom beam.
- Each Wood Panel will require one top beam and one bottom beam. (The beams are used to lock the panel into place.)
- The bottom beam will rest on a "footer", which keeps the bottom beam off the ground.
- The posts and beams are made of aluminum.
- The panel is made of compressed wood, medium-density fiberboard (MDF).
- The slots are 4" on center. This means the measurement from the middle of a slot to the middle of the next slot is 4".
- The posts have infills (slots for the panel and beams to slide into). The infills are removed to create center, corner and ends posts. The top/bottom beams and panels slide into the infill.



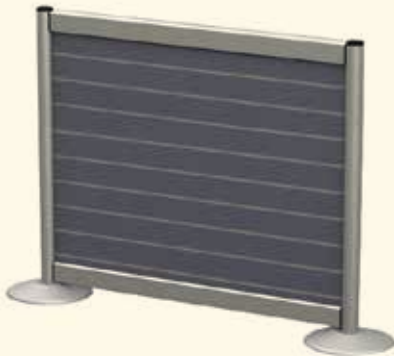
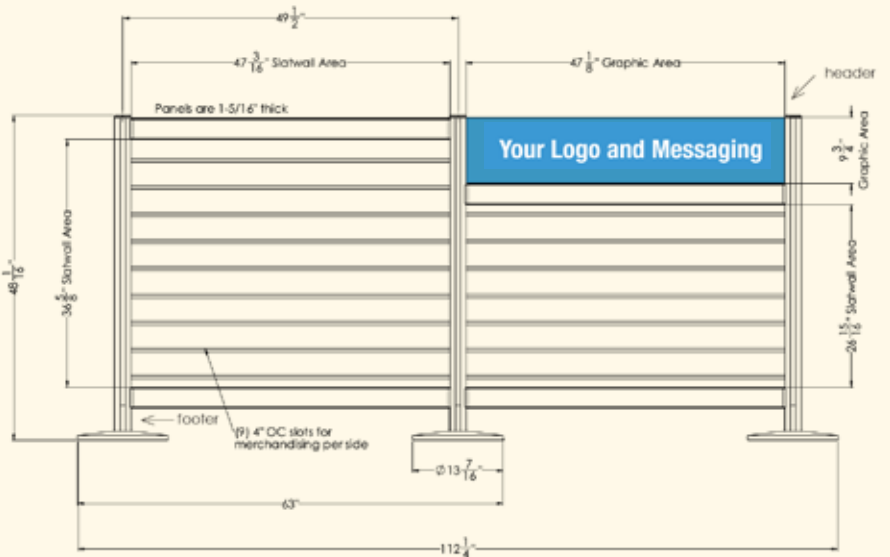
IN-QUEUE MERCHANDISING - Wood Panels

Wood Panels

Extra Height & Full Height with Header

Features

- Extra Height panel is 4' wide and 48" tall.
- Each extra height post is 48" tall. The merchandisable space is 36.5" including the top & bottom beam.
- Each Panel will require one top beam and one bottom beam. (The beams are used to lock the panel into place.)
- The bottom beam will rest on a "footer", which keeps the bottom beam off the ground.
- The posts and beams are made of aluminum.
- The panel is made of compressed wood, medium-density fiberboard (MDF).
- The slots are 4" on center. This means the measurement from the middle of a slot to the middle of the next slot is 4".
- The posts have infills (slots for the panel and beams to slide into). The infills are removed to create center, corner and ends posts. The top/bottom beams and panels slide into the infill

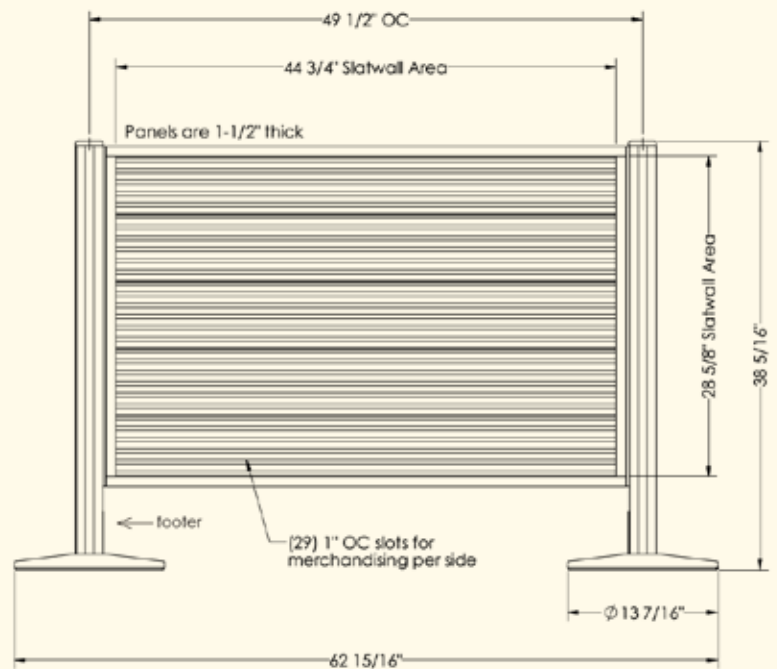


IN-QUEUE MERCHANDISING - Aluminum Panels

Aluminium Panels (full height)

Features

- Standard Height panel is 4 ft wide and 38" tall.
- Each full height post is 38".
- The merchandisable space is 30.5".
- The posts are made of aluminum.
- The panel is made of aluminum and framed in steel.
- The slots are 1" on center. This means the measurement from the middle of a slot to the middle of the next slot is 1".
- The posts have infills (slots for the panel and beams to slide into). The infills are removed to create center, corner and ends posts. The top/bottom beams and panels slide into the infill.
- The aluminum panel does not require top/bottom beams. The Aluminum panel is made with a groove that slides into the post.
- The panel will rest on a footer located at the bottom of the infill.

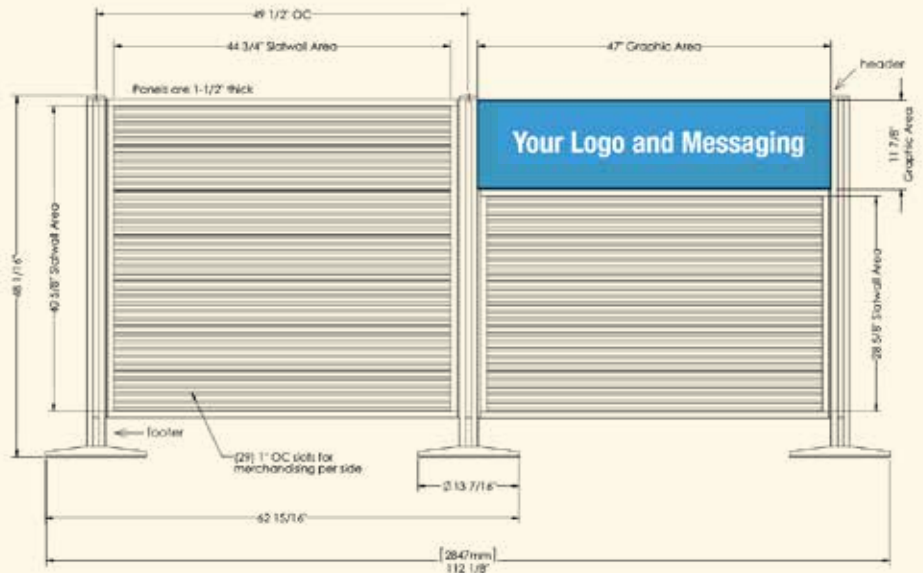


IN-QUEUE MERCHANDISING - Aluminum Panels

Aluminium Panels (full height)

Features

- Standard Height panel is 4 ft wide and 38" tall.
- Each full height post is 38".
- The merchandisable space is 42.25".
- The posts made of aluminum.
- The panel is made of aluminum and framed in steel.
- The slots are 1" on center. This means the measurement from the middle of a slot to the middle of the next slot is 1".
- The posts have infills (slots for the panel and beams to slide into). The infills are removed to create center, corner and ends posts. The top/bottom beams and panels slide into the infill.
- The aluminum panel does not require top/bottom beams. The Aluminum panel is made with a groove that slides into the post.
- The panel will rest on a footer located at the bottom of the infill.

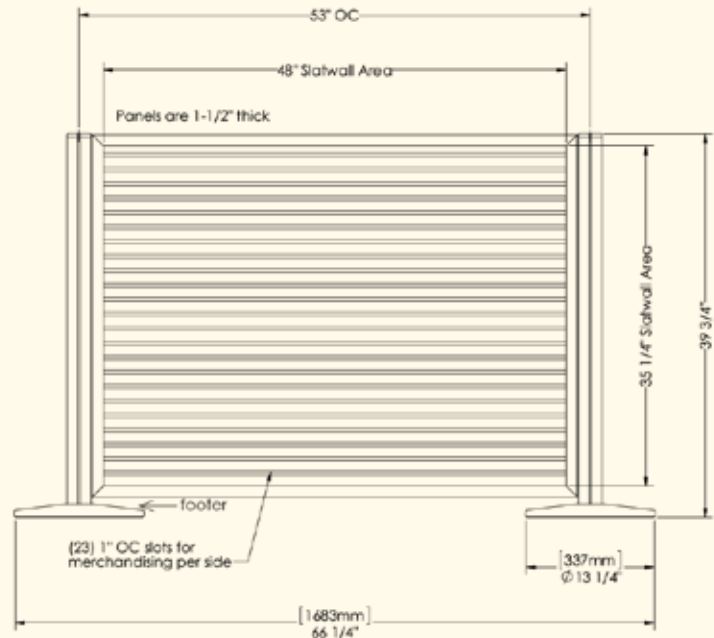


IN-QUEUE MERCHANDISING - Options

ImpulseQ system

Features

- Standard Height panel is 4 ft wide and 38" tall.
- Each full height post is 38".
- The merchandisable space is 36".
- The posts and panel are made of aluminum.
- The slots are 1.5" on center. This means the measurement from the middle of a slot to the middle of the next slot is 1.5".
- *The posts have circular grooves that match up to the sides of the circular extrusion on the panel. This allows the impulse queue to hinge 20 degrees.
- The aluminum panel does not require top/bottom beams. The Aluminum panel is made with a groove that slides into the post.
- The panel will rest on footer.
- No tools assembly.
- Flexible configurations.



IN-QUEUE MERCHANDISING - Accessories

Item #	Description	Wood	Aluminum	Impulse
IQM-STD-HEADER	Clear Rectangular Acrylic Header (48" L x 10.25" W x .125" Deep) - inc. 2 acrylics	✓	✓	
IQM-CURVED-HEADER	Clear Curved Acrylic Header (48" L x 10.25" W x .125" Deep) - inc. 2 acrylics	✓	✓	
Tensabowl No Sign	Merchandising Bowl No Sign, cone no divider	✓	✓	✓
Tensabowl 3X4	Merchandising Bowl with 3" x 4" sign, cone no divider	✓	✓	✓
Tensabowl 5X7	Merchandising Bowl with 5" x 7" sign, cone no divider	✓	✓	✓
Tensabowl 7X11	Merchandising Bowl with 7" x 11" sign, cone no divider	✓	✓	✓
LMMA16-91	MA16 Display Shelf Silver (46 .875" L x 13.5" W x 4.25" H)	✓	✓	
LMMA18-91	MA18 Display Shelf Silver (46 .875" L x 7.6875" W x 4.25" H)	✓	✓	
LMMA6-91	MA6 Display Shelf Silver (46 .875" L x 9.25" W x 8.875" H)	✓	✓	
LMMA46-91	MA46 Angled Basket Silver (22.25" L x 11" W x 6.125" H)	✓	✓	
LMMA17-91	MA17 Display Shelf Silver (46 .875" L x 10.626" W x 4.25" H)	✓	✓	
LMMA50-91	MA50 Wire Basket Silver (15" L x 12" W x 5.375" Deep)	✓	✓	
LMMA51-91	MA51 Wire Basket Silver (23.75 L x 12.25" W x 4.25" Deep)	✓	✓	
LMMA52-91	MA52 Wire Basket Silver (24.5" L x 10.25" W x 5" H)	✓	✓	
07281-000	Clear PETG Slatwall Magazine Holder (9.125" H x 9.5" L x 2.875" W)	✓	✓	✓
06386-00	MA1 Magazine Pocket (8.75" L x 3.5" W x 9" H)	✓	✓	✓
GIFTCARDHOLDER	Gift Card Holder (20" L x 10.125"W x 4" thick from outside of pocket to outside of pocket)	✓		
GIFTCARDHOLDER-AP	Gift Card Holder (20" L x 10.125"W x 4" thick from outside of pocket to outside of pocket) Aluminum Panel		✓	
WIRE-SHELF-KIT	Tiered Wire Shelf 4 Pack Kit	✓	✓	
STRETCH-FRAME-FH	Stretch Frame for Impulse Post - 48" x 36"			✓
CUSTOM-FABRIC-FH	Stretch Fabric (Pricing represents 1 side. Each Stretch frame needs 2 sides)			✓
IMPULSE-POST-95	Fabricated Impulse Standard Height Post 40" Tall with Top Cap in Satin AA			✓
LMMA-624-95	6" Deep x 24" Wide Impulse Shelf (CRS) in Silver Matte Finish			✓
LMMA-25	Quarter Size Impulse Tray for New Impulse Panel and Wood Slatwall Panel	✓		✓
LMMA25-AP	Quarter Size Impulse Tray for Aluminum Panel		✓	
06847-91	7" Deep Wire Shelf - Silver (45.5" L x 7" W x 4" H)	✓	✓	
06848-91	8" Deep Wire Shelf - Silver (45.5" L x 8" W x 4.25" H)	✓	✓	
06849-91	9" Deep Wire Shelf - Silver (45.5" L x 9" W x 4.75" H)	✓	✓	
06852-91	11" Deep Wire Shelf - Silver (45.5" L x 11" W x 5.75" H)	✓	✓	



IN-QUEUE MERCHANDISING - Accessories

Item #	Description	Wood	Aluminum	Impulse
53846-33	Flower Ring - Black (11.375" long 6.75" wide .25" Deep)	✓	✓	
53846-91	Flower Ring - Silver (11.375" long 6.75" wide .25" Deep)	✓	✓	
06856-1P	4" Scan Hook Polished Chrome with Flip Scan Label Holder	✓	✓	
06856-33	4" Scan Hook Black with Flip Scan Label Holder	✓	✓	
05287-1P	6" Scan Hook Polished Chrome with Flip Scan Label Holder	✓	✓	
05287-33	6" Scan Hook Black with Flip Scan Label Holder	✓	✓	
06858-1P	8" Scan Hook Polished Chrome with Flip Scan Label Holder	✓	✓	
06858-33	8" Scan Hook Black with Flip Scan Label Holder	✓	✓	
05288-1P	10" Scan Hook Polished Chrome with Flip Scan Label Holder	✓	✓	
05288-33	10" Scan Hook Black with Flip Scan Label Holder	✓	✓	
680456-1P	4" Prong Hook Polished Chrome	✓	✓	
680456-33	4" Prong Hook Black	✓	✓	
680457-1P	6" Prong Hook Polished Chrome	✓	✓	
680457-33	6" Prong Hook Black	✓	✓	
680458-1P	8" Prong Hook Polished Chrome	✓	✓	
680458-33	8" Prong Hook Black	✓	✓	
680452-1P	10" Prong Hook Polished Chrome	✓	✓	
680452-33	10" Prong Hook Black	✓	✓	
7X11 Frame	7 x 11 Frame	✓	✓	✓

