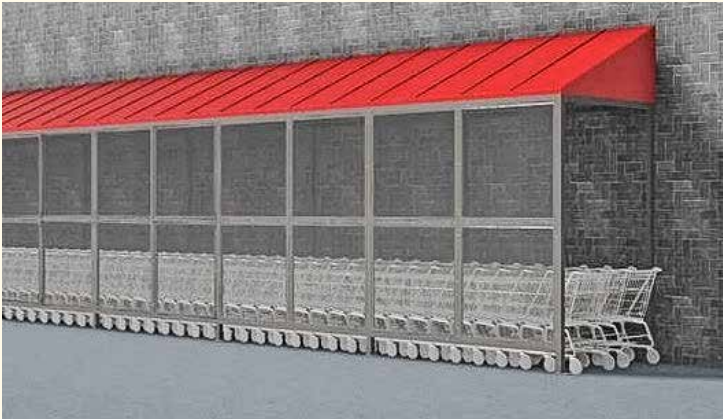


COVERED AWNING CART RETURN CORRALS

Covered Cart Corral Awning Shelter

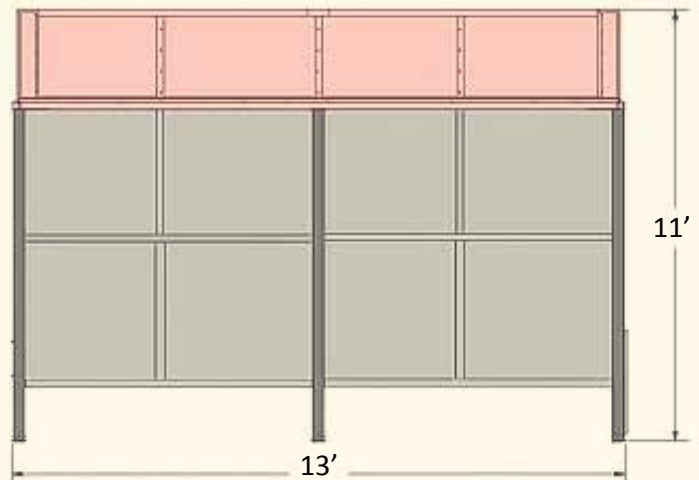
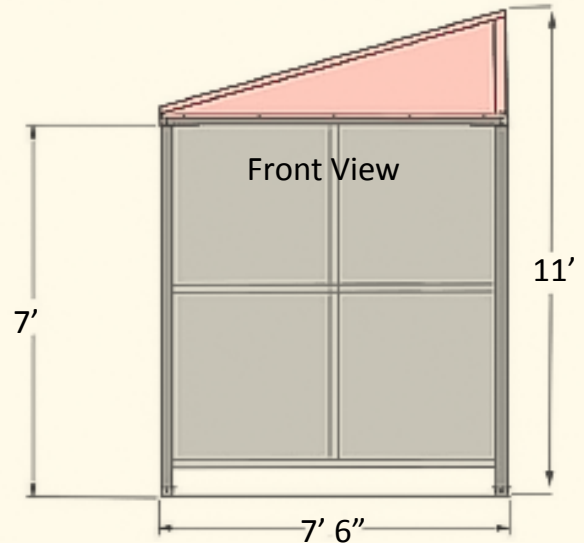


Item # SLA-OCCSS9013

Covered cart corral awning with polycarbonate storm windows to protect carts from rain, snow, UV, and heat. One side of the corral shares a wall with the building.

- Free standing.
- Shopping cart holding capacity:
Approx. 100 standard sized carts.
- Carts are stored:
3 wide by 34 carts deep.
- Total Dimensions:
39' long x 7' 6" wide
- Assembly requires bolting into
concrete footings.
- Contractor assembly required.

Dimensions:



Sectional Side View - Corral requires 3 sections



Call now for pricing and availability!
813.962.8890



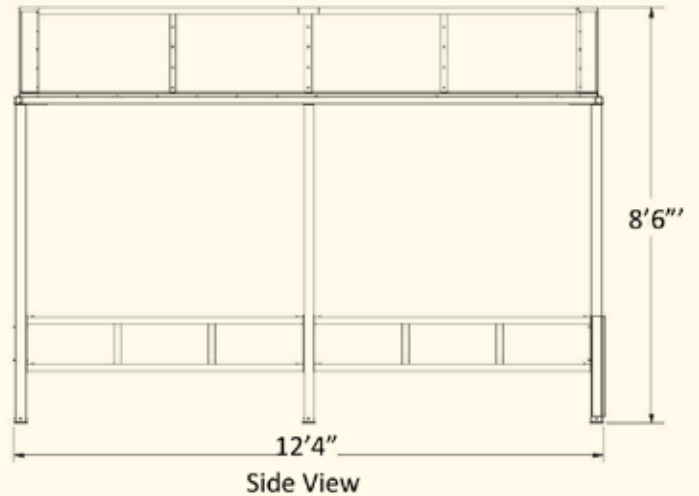
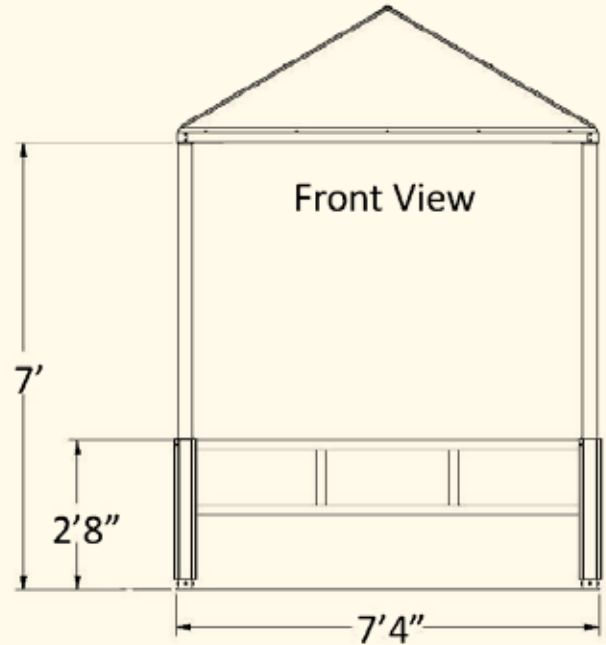
COVERED SHELTER CART RETURN CORRALS

Covered Cart Corral Shelter



Item# SLA-OCCS308812.4

Dimensions:



- Cart Holding Capacity Approx. 30 standard sized carts.
- Carts are stored 3 wide by 10 carts deep.
- Shipment includes concrete anchor ballast.
- Assembly re-quired.
- **Optional plastic weather windows available** for 3 sides to help keep rain and snow out of the corral.
- **Weather Windows** (Optional) Item# SLA-OCCS30812WIN

Standard Parking Dimensions		
Parking Angle	Space Width	Space Length
90°	8'	15'
60°	8'	16' 8"
45°	8'	16' 6"
30°	8'	14'

Call now for pricing and availability!
813.962.8890

