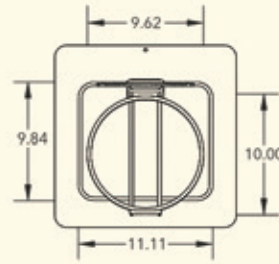


# Sanitized Wipes Dispenser Stands



**Overall dimensions:**  
15" Width x 15" Depth x 49.7" Height



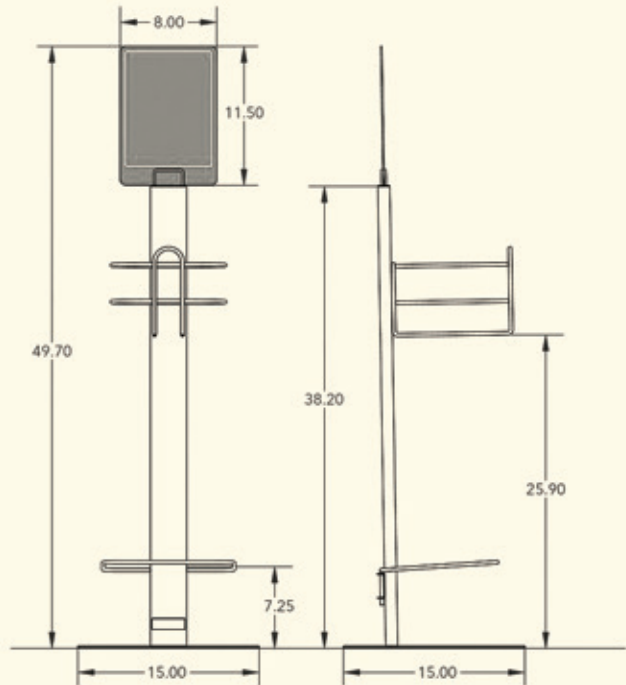
**Notes:**

Powder coated black steel tube, sheet metal and wire construction.

Printed in color, detachable header graphic insert (8.00"W x 11.50"H).

Built-in durable holder for storage of disinfectant wipes dispenser.

Detachable wire holder for removable wastebasket at the bottom.



**Call now for pricing and availability!**  
**813.962.8890**



P.O. Box 271893, Tampa, FL 33688  
email: info@SLfixtures.com  
813.962.8890 • fax: 813.962.8891  
cell: 813-765-6640  
[www.SandraLeppert.com](http://www.SandraLeppert.com)